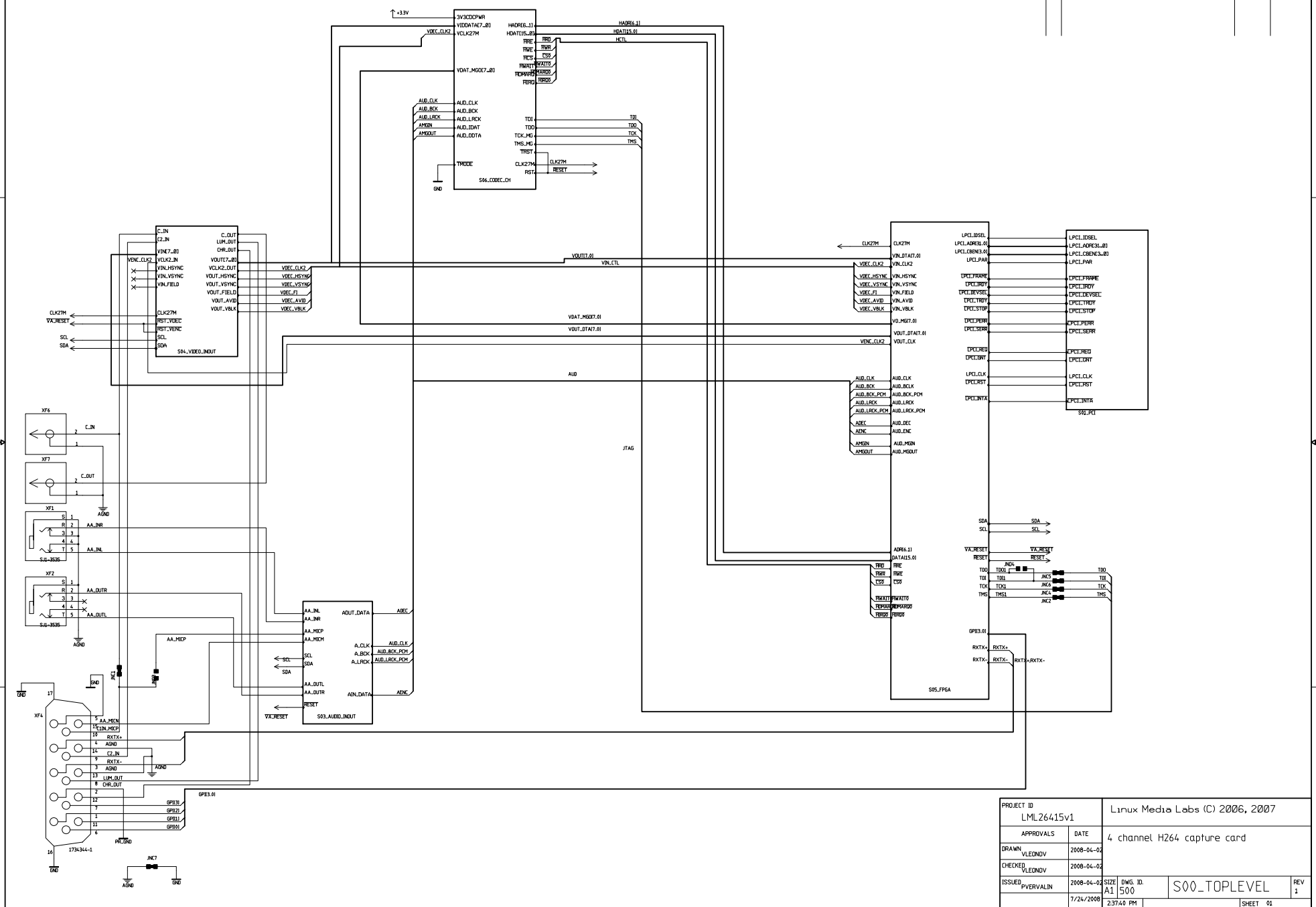
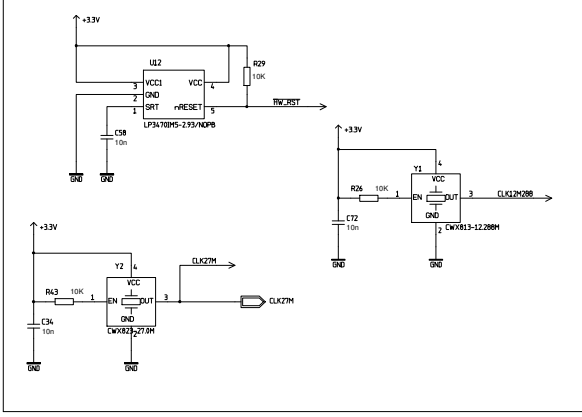
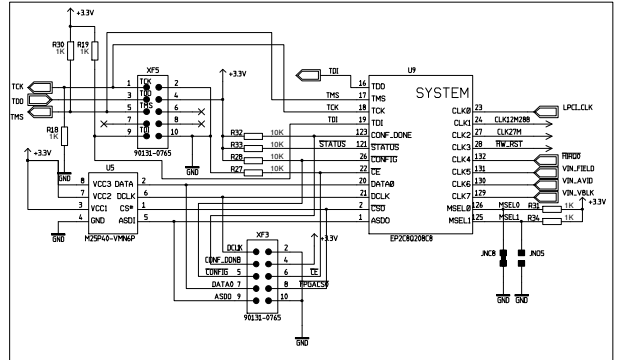
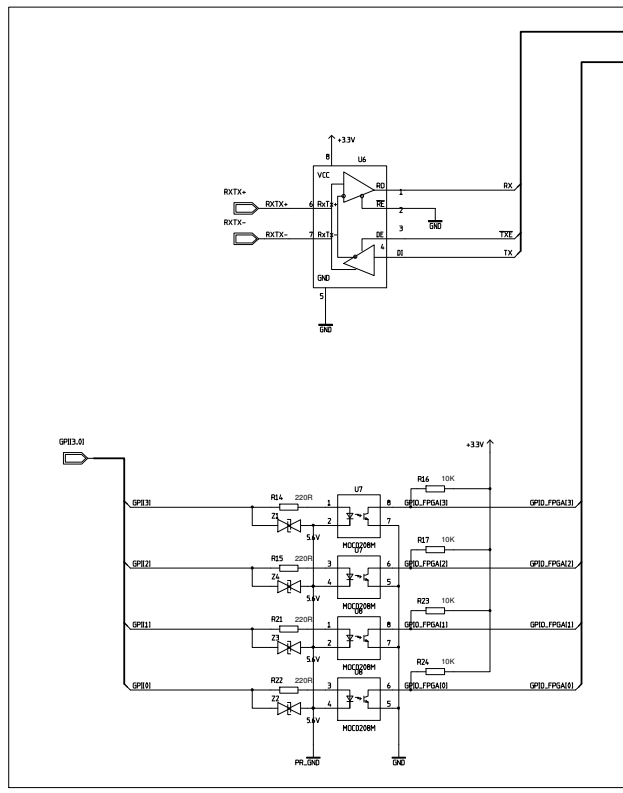
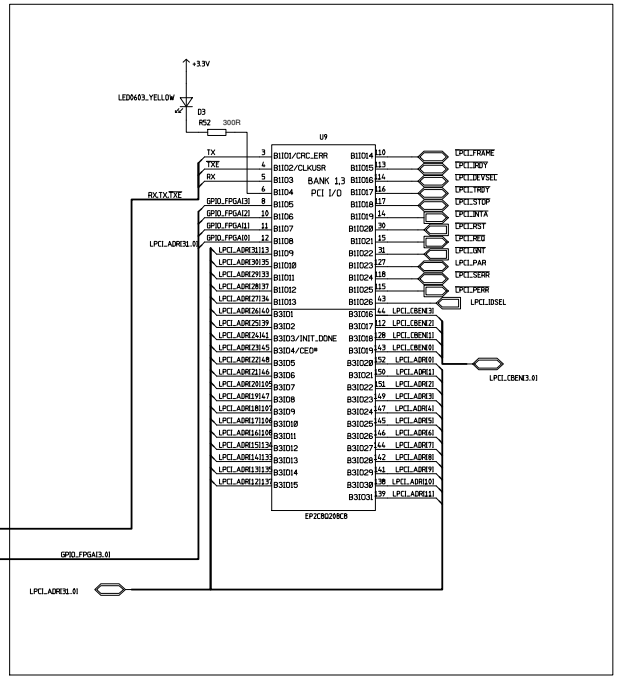
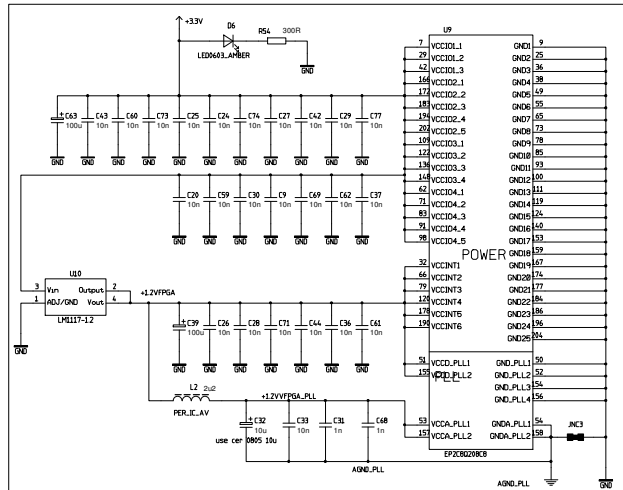
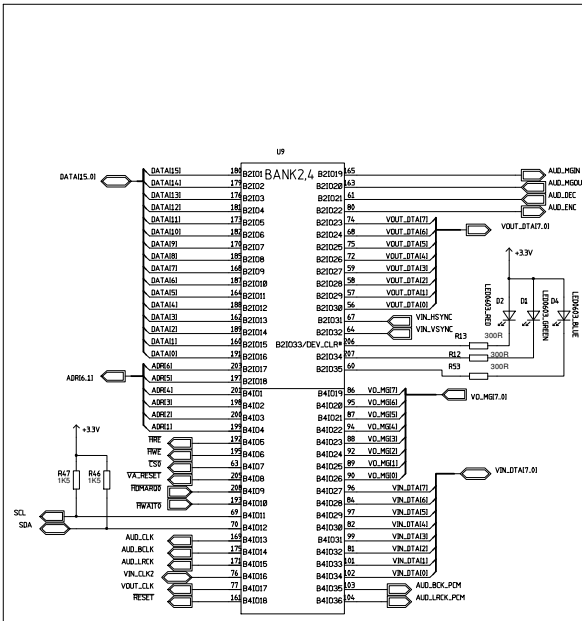


REVISIONS/CHANGES			
REV	DESCRIPTION	DATE	APPROVED



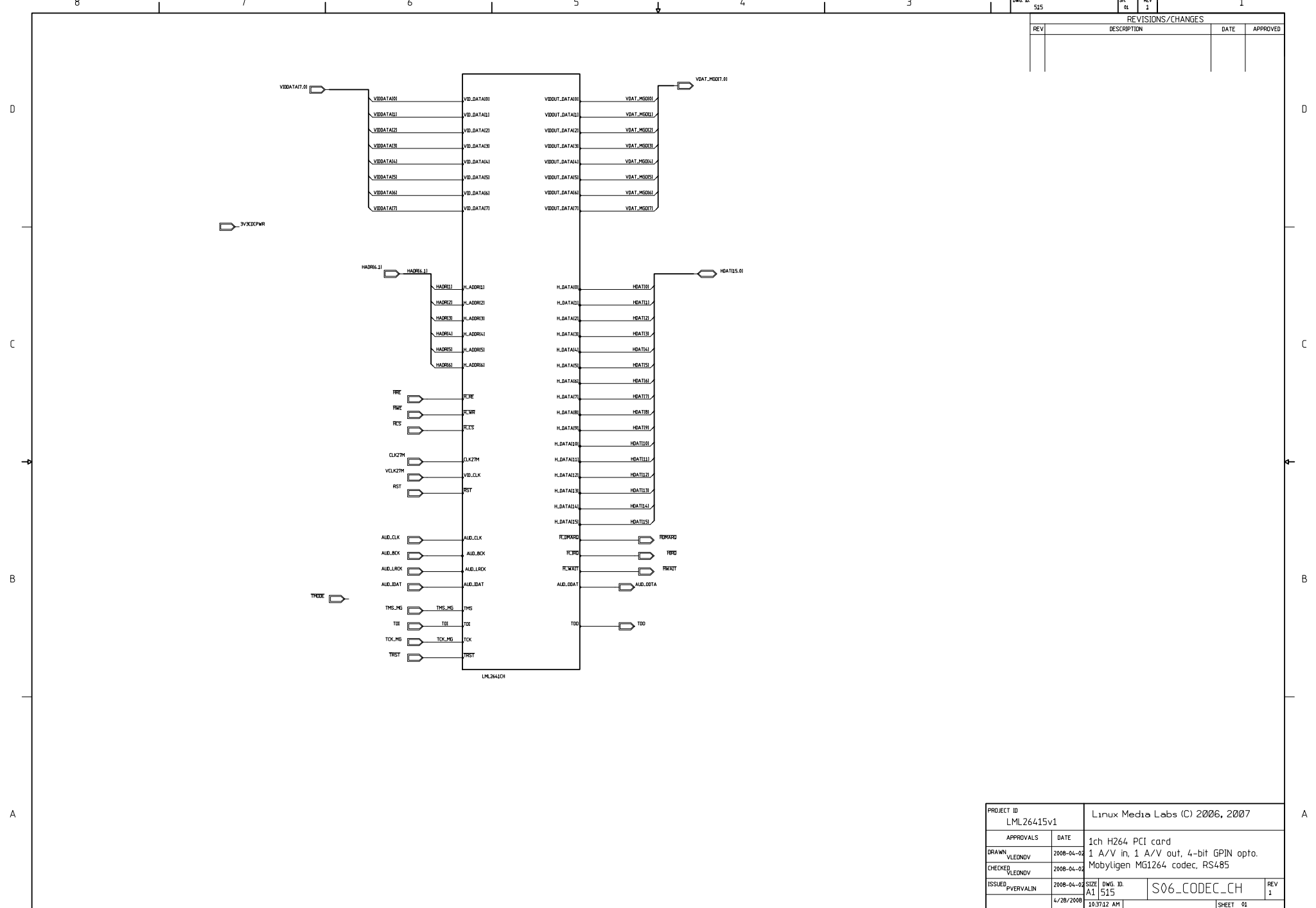
PROJECT ID	LML26415v1		
APPROVALS	DATE	Linux Media Labs (C) 2006, 2007	
DRAWN	VLEONOV	2008-04-02	4 channel H264 capture card
CHECKED	VLEONOV	2008-04-02	
ISSUED	PVERVALIN	2008-04-02	
		SIZE	DWG. ID.
		A1	500
		2:37:40 PM	S00_TOPLEVEL
			REV 1
			SHEET 01

DWG. NO.		REV.	
S15		S15	
REVISIONS/CHANGES			
REV	DESCRIPTION	DATE	APPROVED



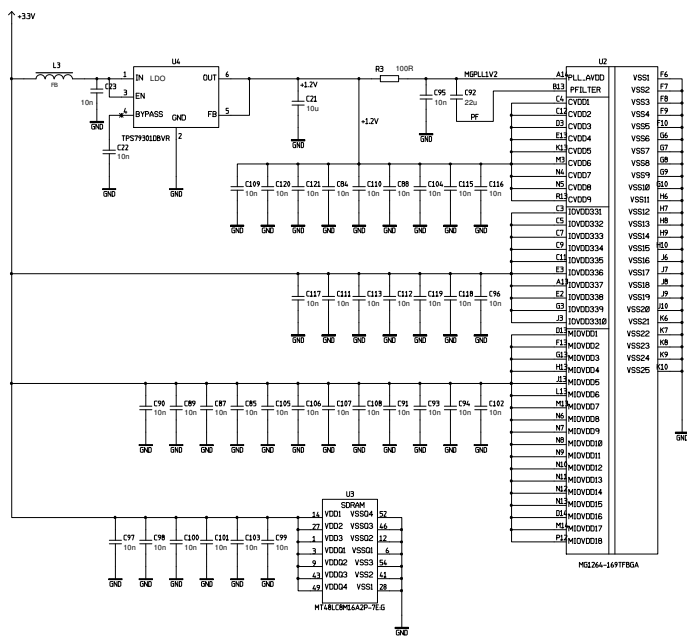
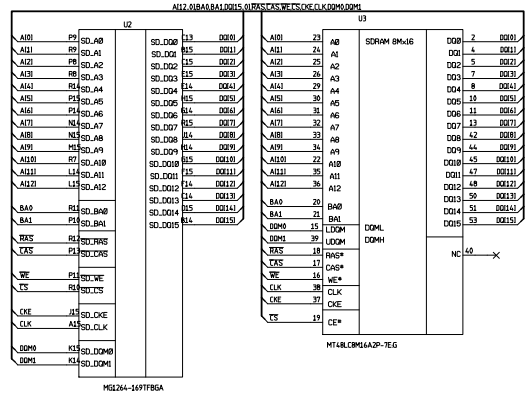
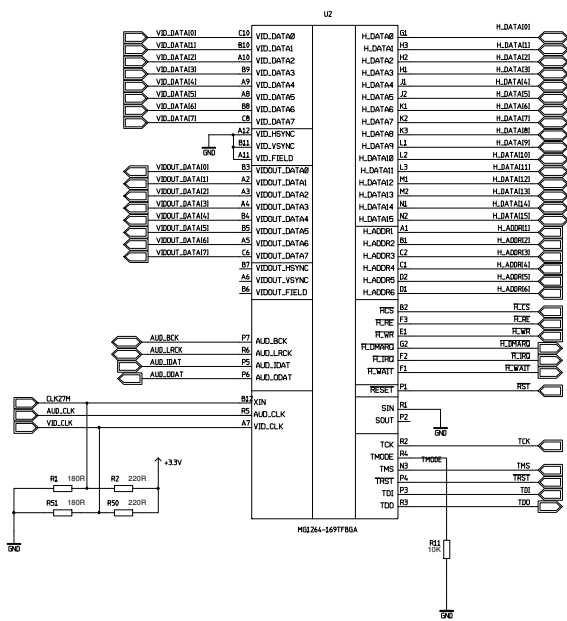
PROJECT ID	LML26415v1		
APPROVALS	DATE	Linux Media Labs (C) 2006, 2007	
DRAWN	VLEONDV	2008-04-02	1ch H264 PCI card
CHECKED	VLEONDV	2008-04-02	1 A/V in, 1 A/V out, 4-bit GPIN opto.
ISSUED	PVERVALIN	2008-04-02	Mobyigen MG1264 codec, RS485
SIZE	DWG. ID.	REV	
A1	S05_FPGA	1	
BSL:08 PM			

DWG. ID	515	REV. 01	REV. 1
REVISIONS/CHANGES			
REV	DESCRIPTION	DATE	APPROVED



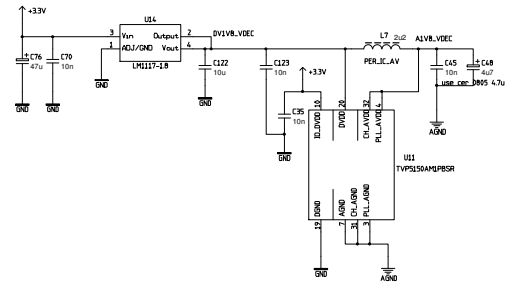
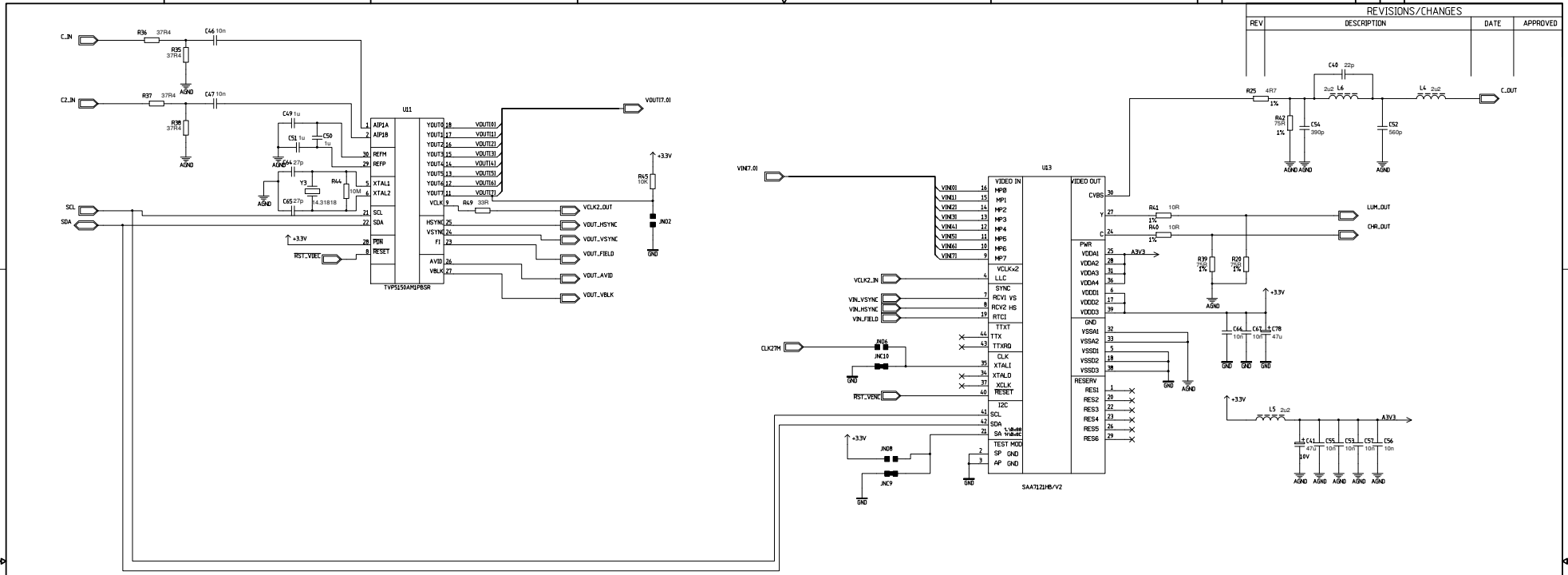
PROJECT ID	LML26415v1	Linux Media Labs (C) 2006, 2007		
APPROVALS	DATE	1ch H264 PCI card		
DRAWN	2008-04-02	1 A/V in, 1 A/V out, 4-bit GPIN opto.		
CHECKED	2008-04-02	Mobyigen MG1264 codec, RS485		
ISSUED	2008-04-02	SIZE	DWG. ID.	REV
PVERVALIN	4/28/2008	A1	515	1
	10:37:12 AM	S06_CODEC_CH		SHEET 01

REVISIONS			
REV	DESCRIPTION	DATE	APPROVED



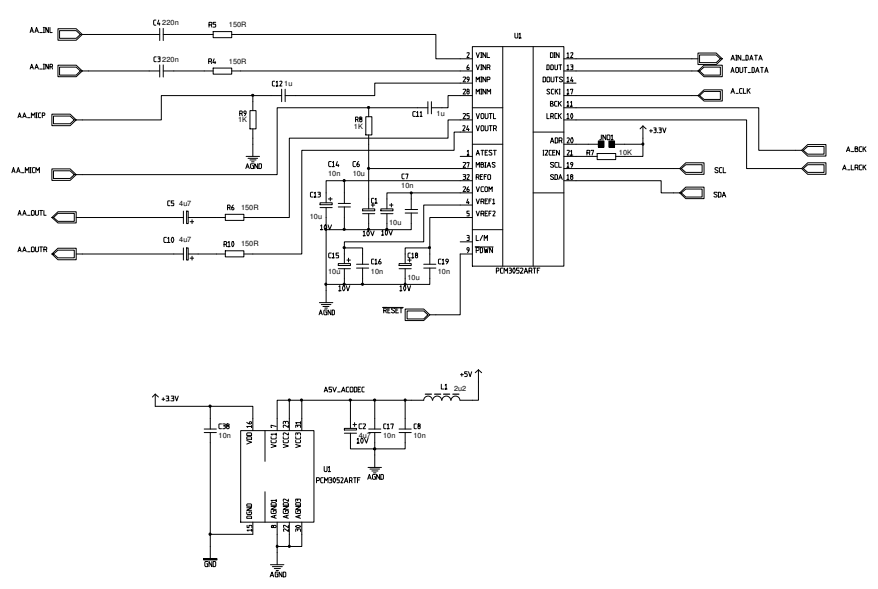
CONTRACT NO.			
APPROVALS	DATE		
DRAWN			
CHECKED			
ISSUED		SIZE FSCM NO.	DWG. NO.
		SCALE	SHEET

REVISIONS/CHANGES			
REV	DESCRIPTION	DATE	APPROVED



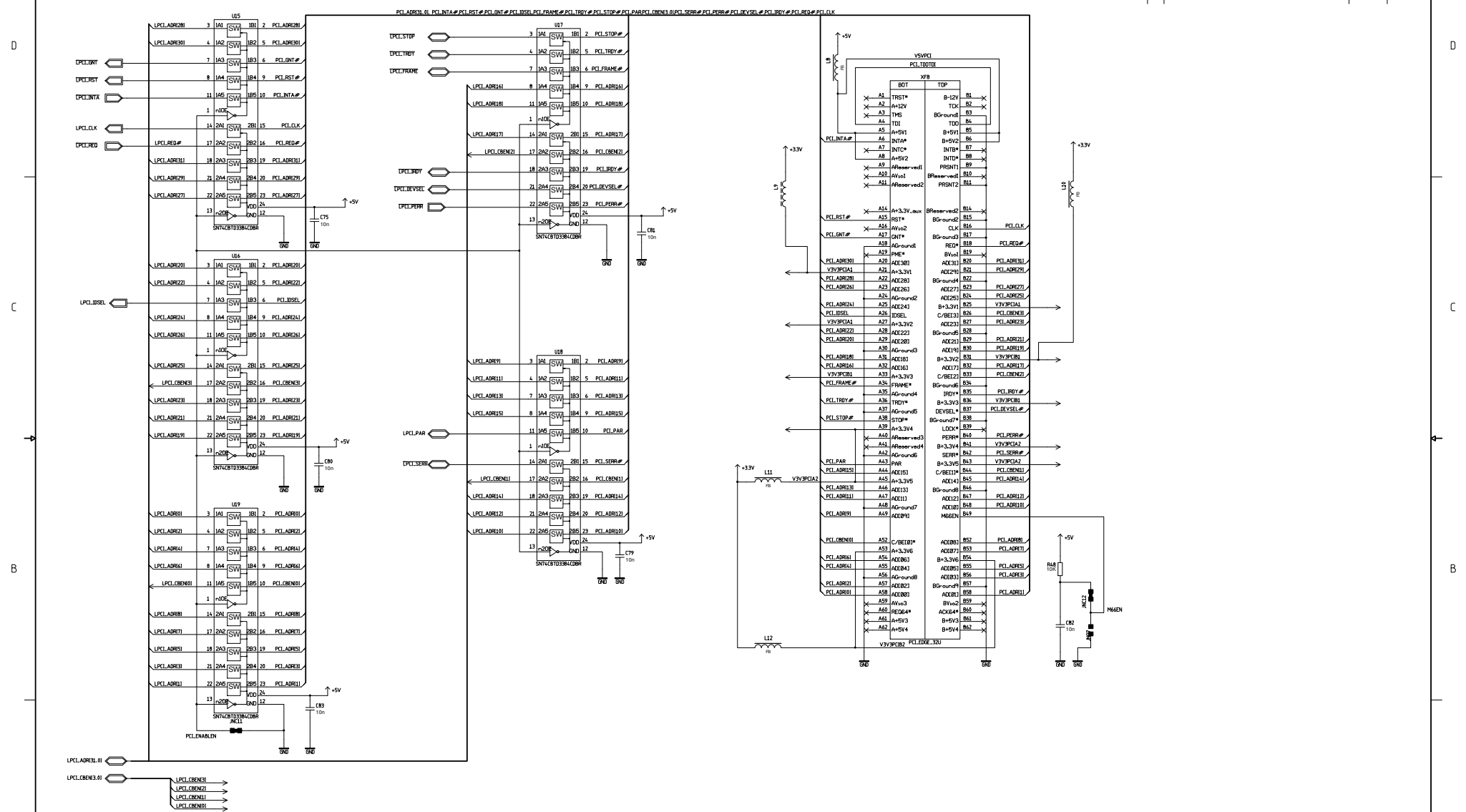
PROJECT ID	LML26415v1			Linux Media Labs (C) 2006, 2007	
APPROVALS	DATE	1ch H264 PCI card			
DRAWN	VLEONDV	2008-04-02	1 A/V in, 1 A/V out, 4-bit GPIN opto.		
CHECKED	VLEONDV	2008-04-02	Mobyigen MG1264 codec, RS485		
ISSUED	PVERVALIN	2008-04-02	SIZE	DWG. ID.	REV
		8/12/2008	A1	515	S04_VIDEO_INOUT
			10:36:53 PM		SHEET 01

DWG. ID	S15	REV. 01	REV. 1	1
REVISIONS/CHANGES				
REV	DESCRIPTION	DATE	APPROVED	



PROJECT ID	LML26415v1	Linux Media Labs (C) 2006, 2007		
APPROVALS	DATE	1ch H264 PCI card		
DRAWN	VLEONDV	2008-04-02	1 A/V in, 1 A/V out, 4-bit GPIN opto.	
CHECKED	VLEONDV	2008-04-02	Mobyigen MG1264 codec, RS485	
ISSUED	PVERVALIN	2008-04-02	SIZE A1	DWG. ID. S03_AUDIO_INOUT
		7/30/2008	2:11:40 AM	REV 1
			SHEET	01

REVISIONS/CHANGES			
REV	DESCRIPTION	DATE	APPROVED



PROJECT ID	Linux Media Labs (C) 2006, 2007		
LML26415v1			
APPROVALS	DATE	1ch H264 PCI card	
DRAWN_VLEONDV	2008-04-02	PCI connector	
CHECKED_VLEONDV	2008-04-02	3.3V to/from 5V NMOSFET level shifters	
ISSUED_PVERVALIN	2008-04-02	SIZE	DWG. ID.
7/26/2008	2.2950 PM	A1	S01_PCI
SHEET 01			REV 1